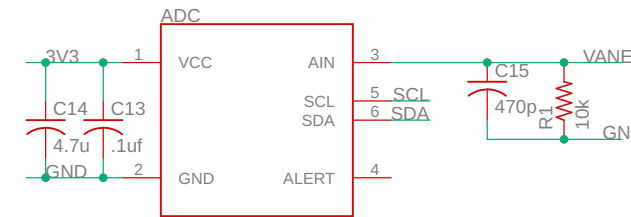
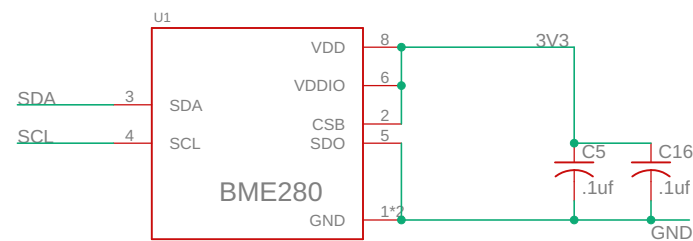


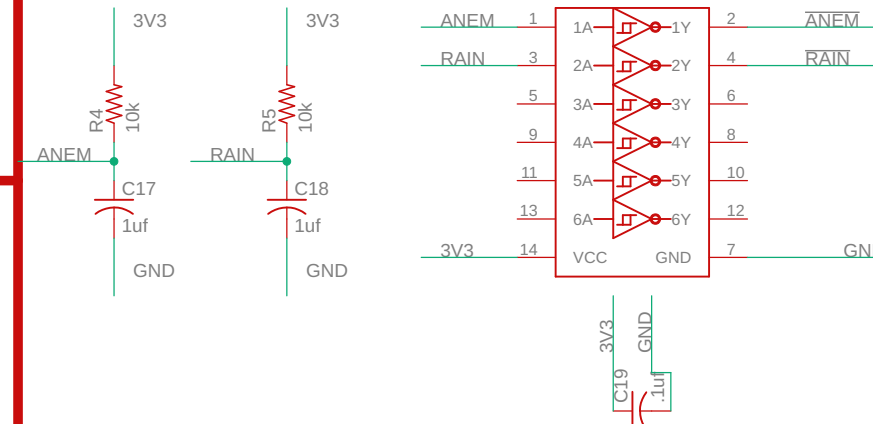
COUNTING



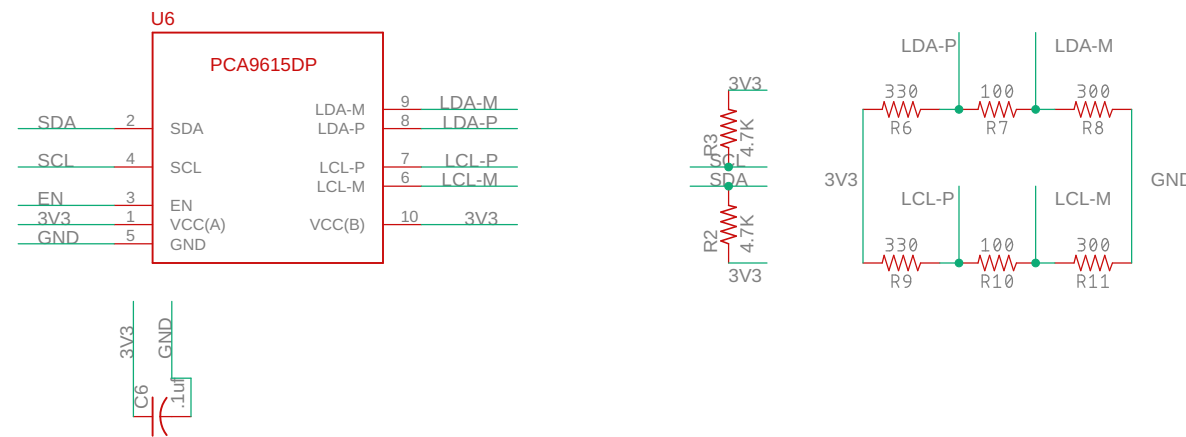
ADC



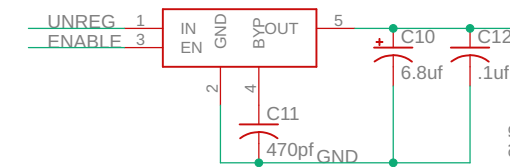
SENSORS



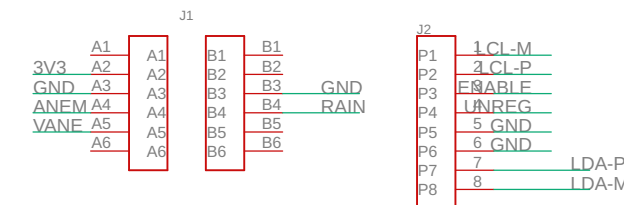
DEBOUNCE



I2C EXT & TERMINATION



POWER



CONNECTORS